

OKLAHOMA DEPARTMENT OF TRANSPORTATION					
FED. ROAD DIST. NO.	STATE	PROJ. NO.	FISCAL YEAR	SHEET NO.	TOTAL SHEETS
	OKLA.				
DESCRIPTION			REVISIONS	DATE	

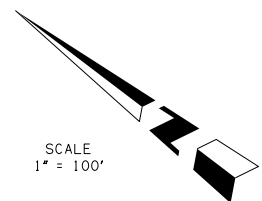
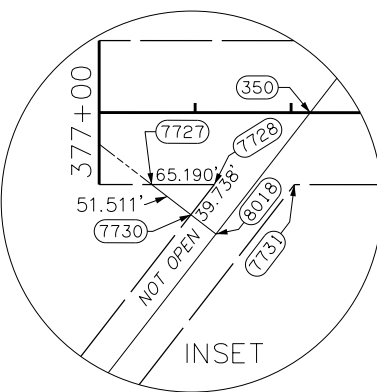
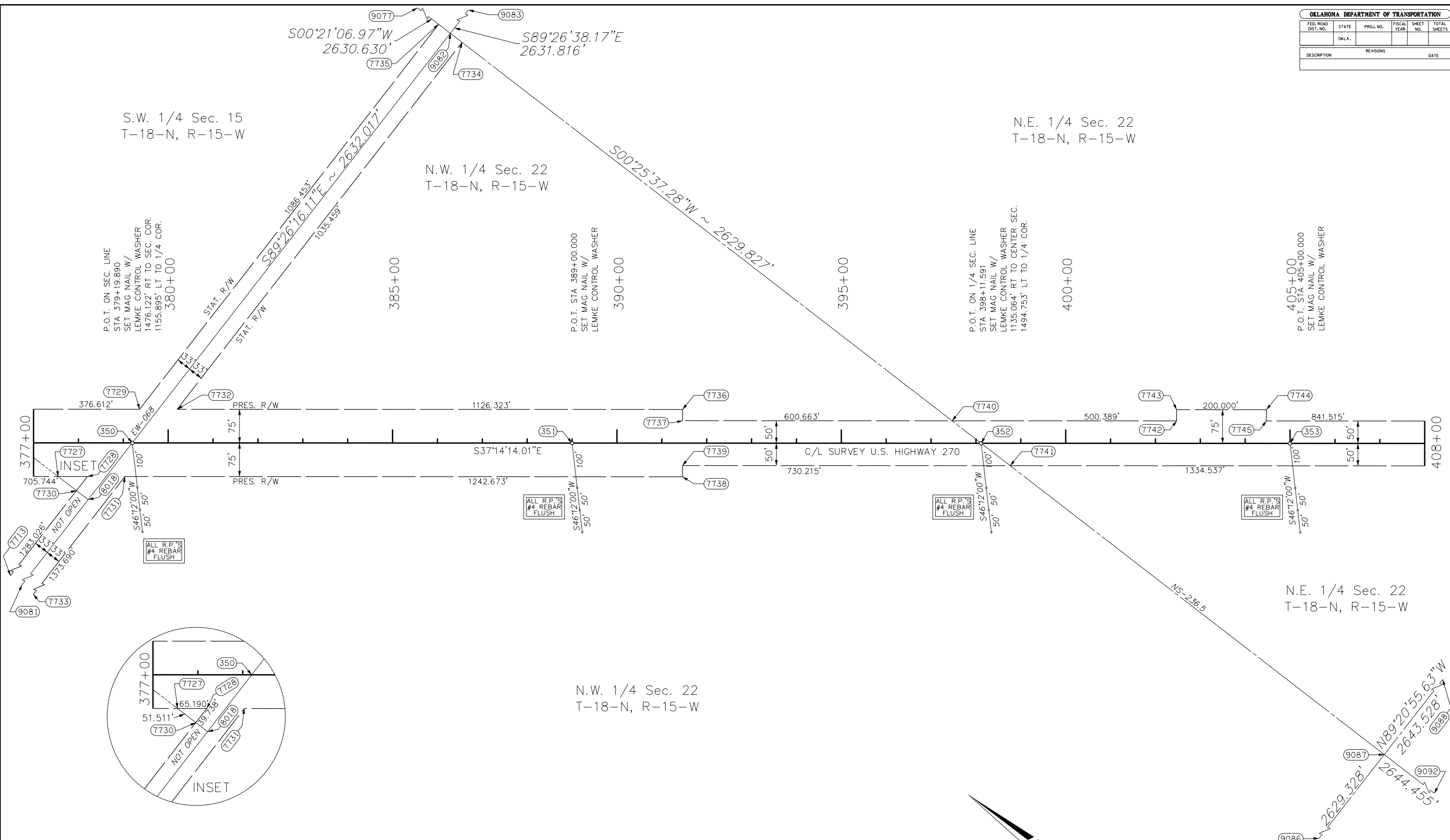
S.W. 1/4 Sec. 15
T-18-N, R-15-W

N.E. 1/4 Sec. 22
T-18-N, R-15-W

N.W. 1/4 Sec. 22
T-18-N, R-15-W

N.E. 1/4 Sec. 22
T-18-N, R-15-W

N.W. 1/4 Sec. 22
T-18-N, R-15-W



SCALE
1" = 100'

OKLAHOMA DEPARTMENT OF TRANSPORTATION					
SURVEY DIVISION					
SURVEY DATA SHEET					
PLS	KH				
DRAWN	SK				
CHECKED	KH				
APPROVED	KH				
CREW	JH, SA, BH, DR	SWO 4600 (1)	PROJECT NO. 17671(34)	SHEET NO. S23	

February 3rd, 2012